
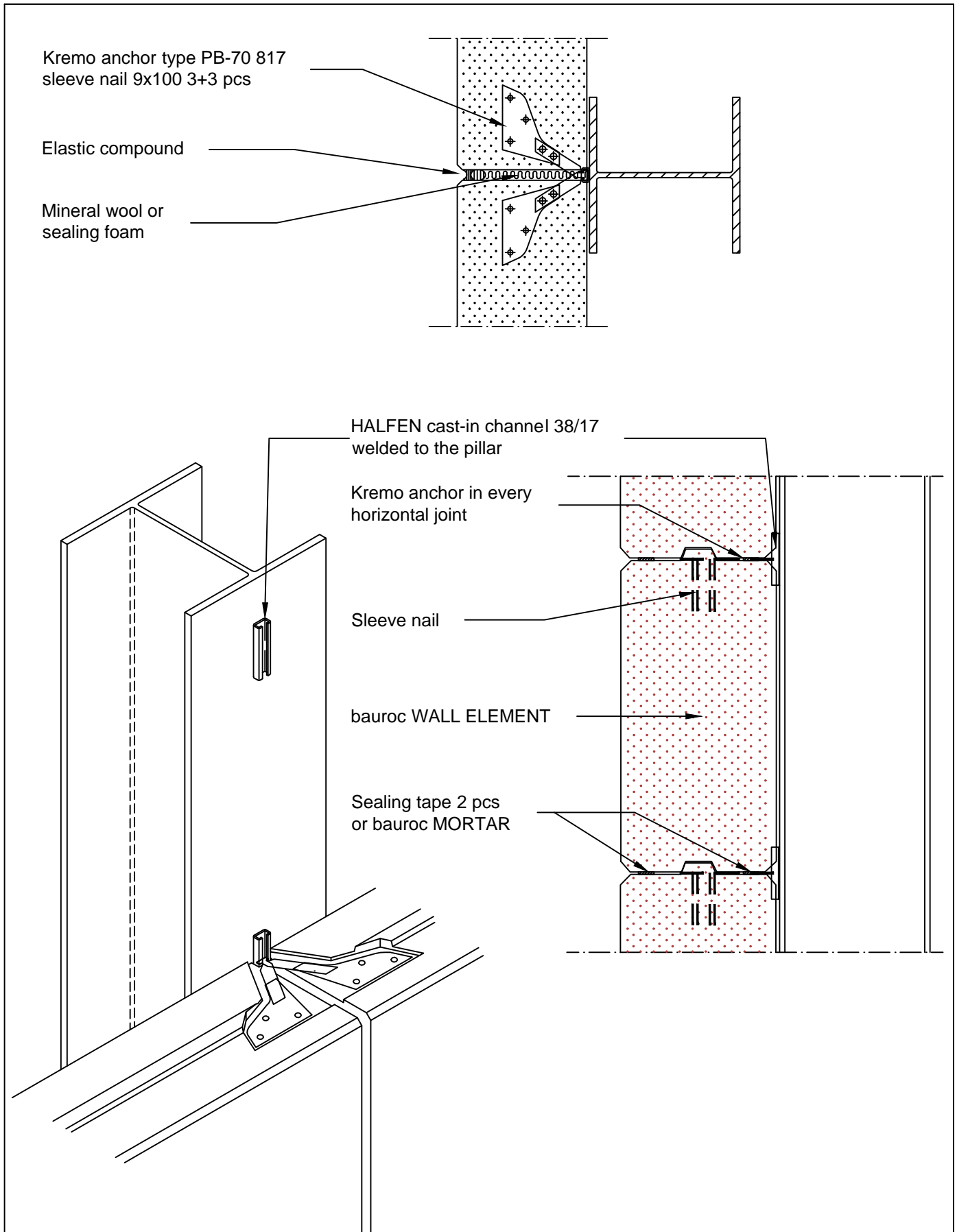



|   |  |  |  |
|---|--|--|--|
|  |  | Content  |  |
|   |  | bauroc WALL ELEMENT 250mm; concrete pillar<br>Kremo anchor, Fire resistance EI-M 180 |  |
| Designer  |  | Scale  |  |
| Date  |  | Drawing No.  |  |
| 08.2017   |  | M 1:10<br>Wall 2.1.1   |  |

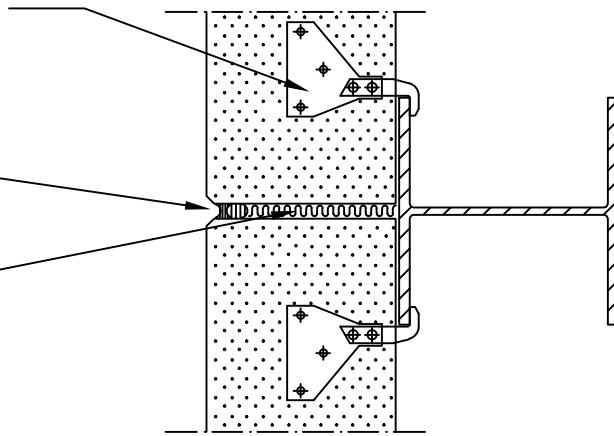


|   |   |                           |
|---|---|---------------------------|
|  | Content<br>bauroc WALL ELEMENT 250 mm; steel pillar<br>Kremo anchor, Fire resistance EI-M 180 |                           |
|   | Designer  | Scale<br>M 1:10           |
|   | Date<br>01.2018   | Drawing No.<br>Wall 2.1.2 |

Kremo anchor type PB-69 913F  
sleeve nail 9x100 3+3 pcs

Elastic compound

Mineral wool or  
sealing foam

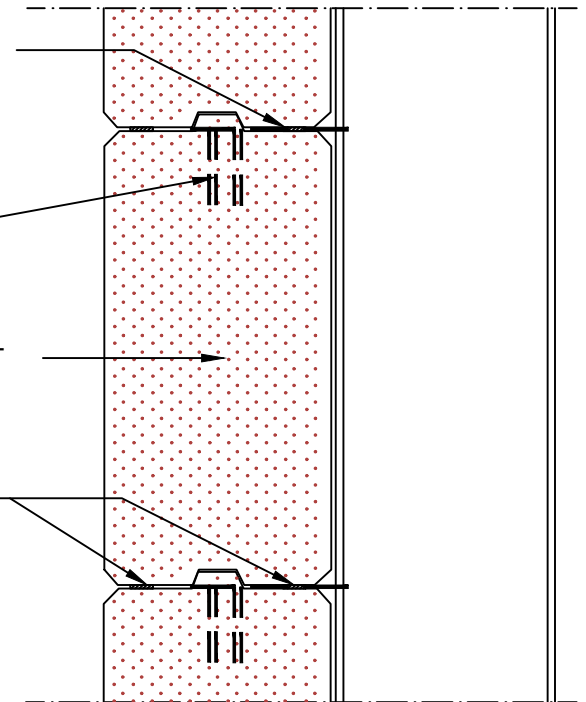
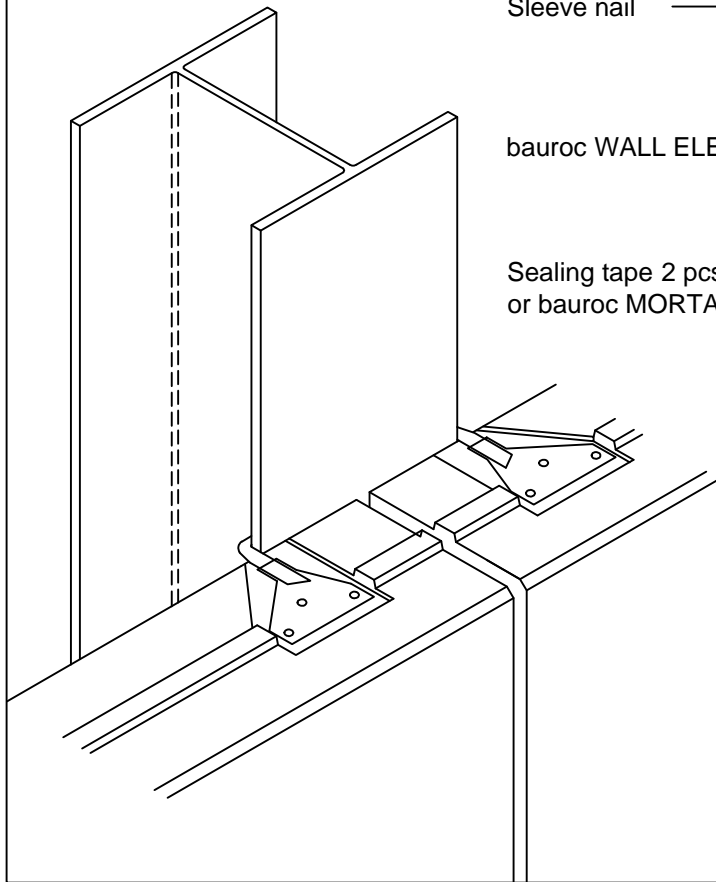



Kremo anchor in every  
horizontal joint

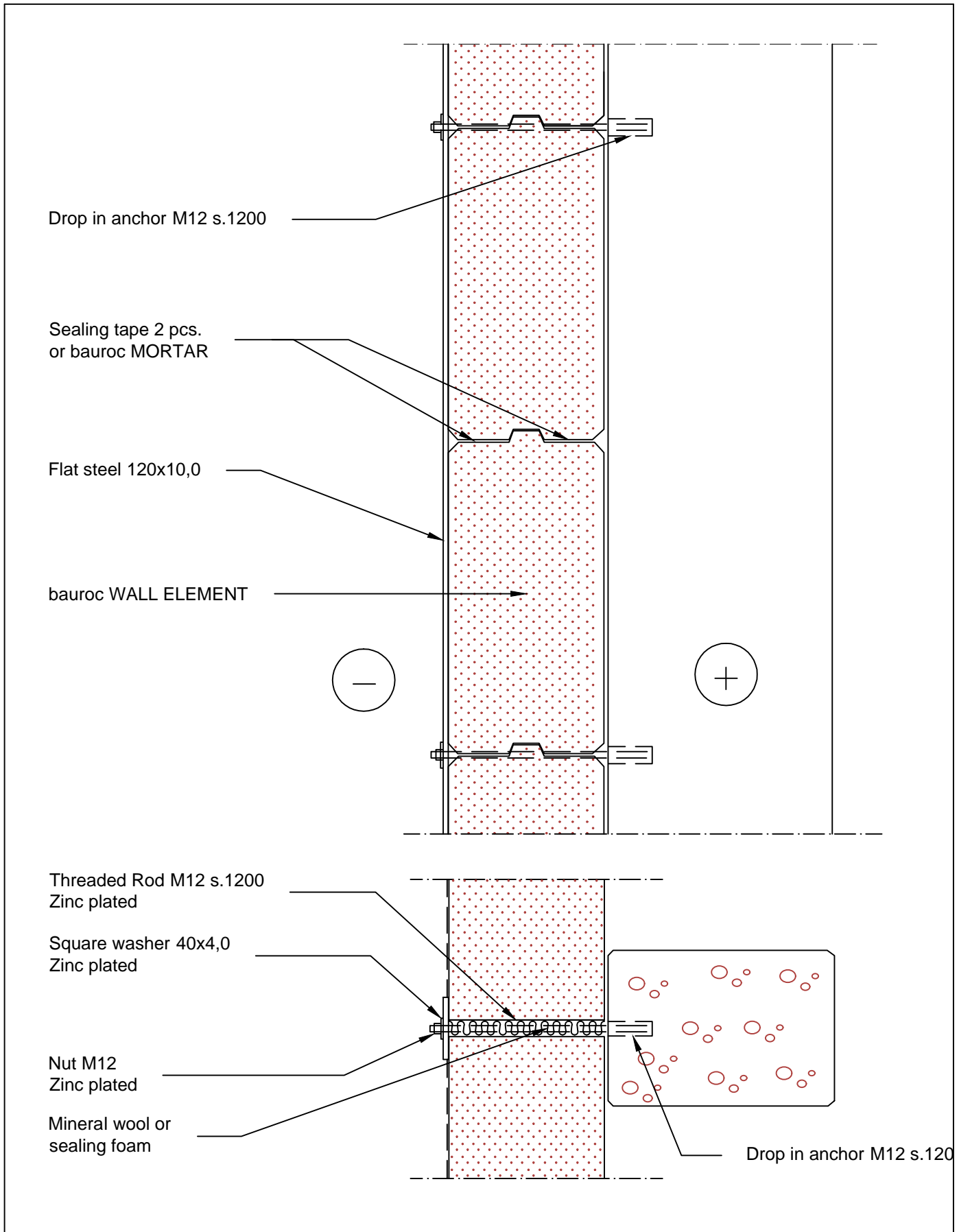
Sleeve nail


bauroc WALL ELEMENT

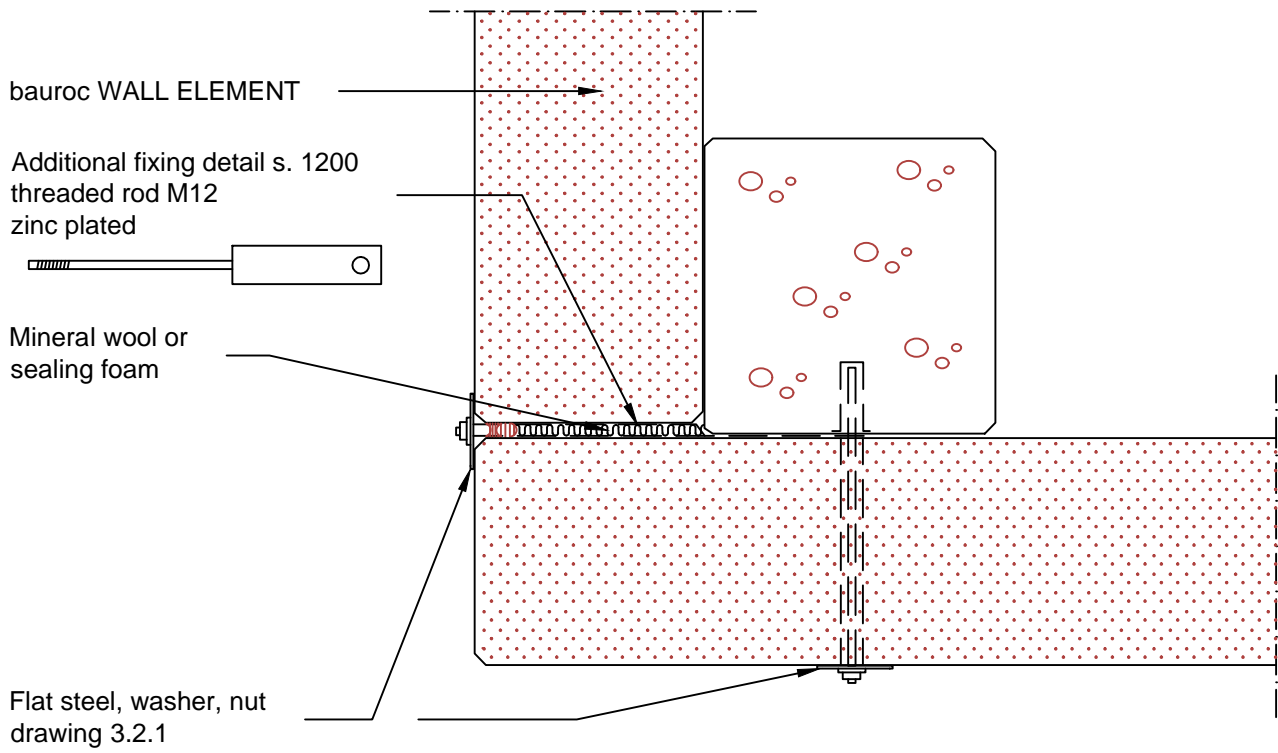
Sealing tape 2 pcs  
or bauroc MORTAR




|   |   |                           |
|---|---|---------------------------|
|  | Content<br>bauroc WALL ELEMENT 250 mm; steel pillar<br>Kremo anchor, Fire resistance EI-M 180 |                           |
|   | Designer  | Scale<br>M 1:10           |
|   | Date<br>01.2018   | Drawing No.<br>Wall 2.1.3 |



|   |  |                           |
|---|--|---------------------------|
|  | Content<br>bauroc WALL ELEMENT; concrete pillar<br>fixing with threaded rods and steel profile |                           |
|   | Designer   | Scale<br>M 1:10           |
|   | Date<br>08.2017  | Drawing No.<br>Wall 3.2.1 |



|   |  |                           |
|---|--|---------------------------|
|   | Content<br>bauroc WALL ELEMENT;<br>External corner, Fire resistance EI-M |                           |
|  | Designer   | Scale<br>M 1:10           |
|   | Date<br>08.2017  | Drawing No.<br>Wall 1.2.8 |